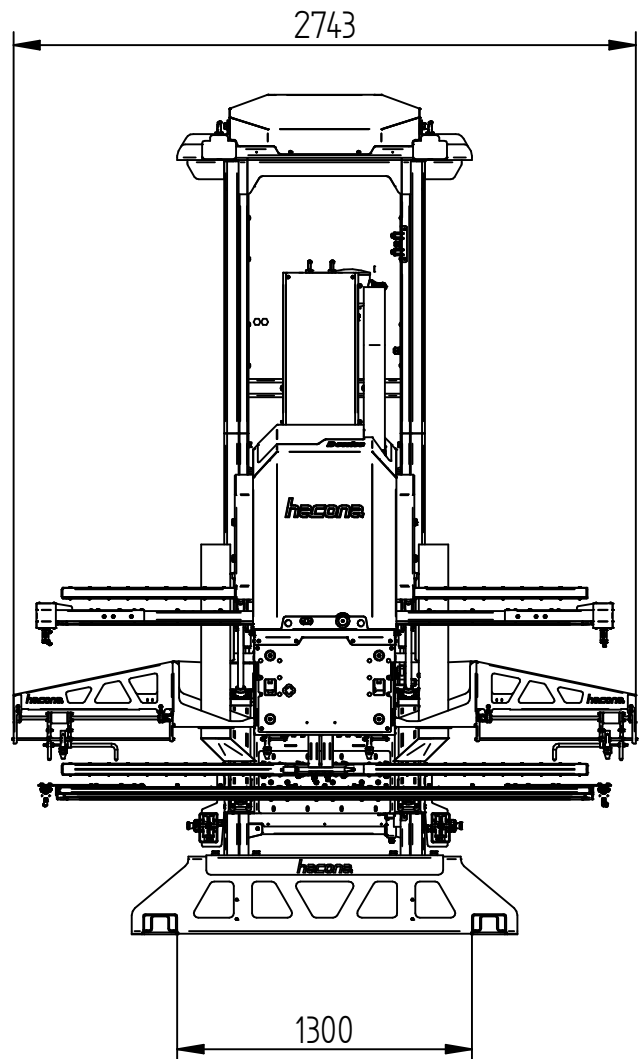
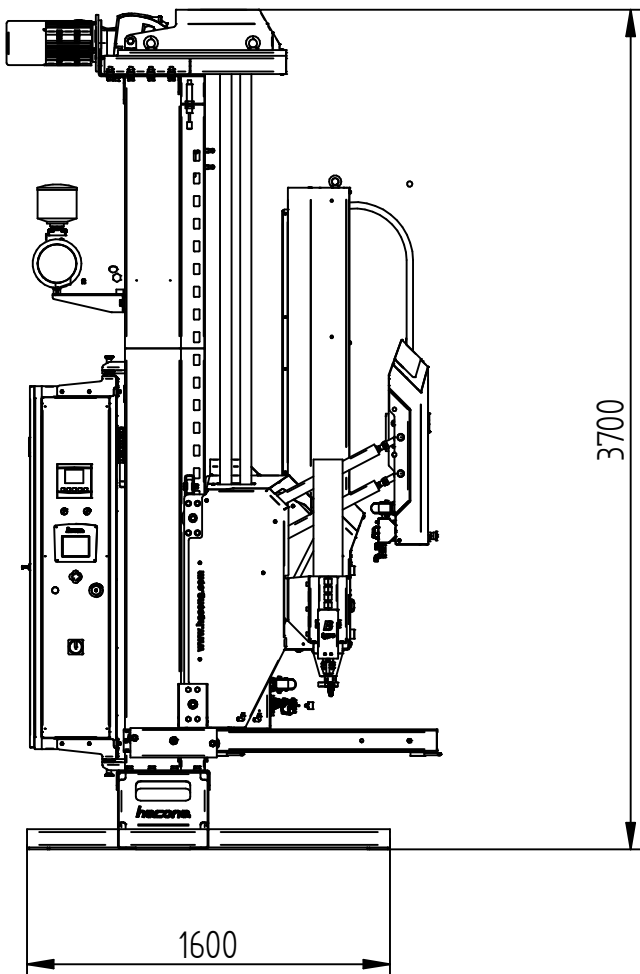
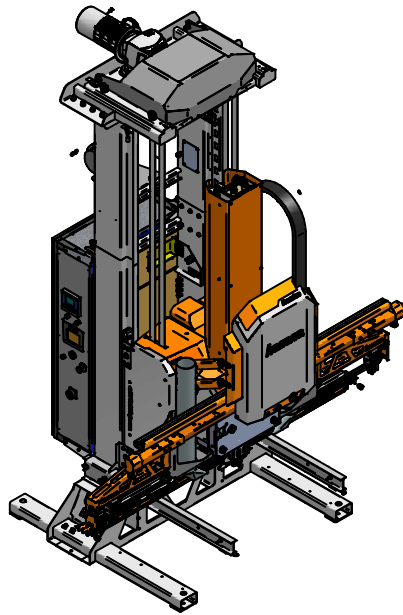
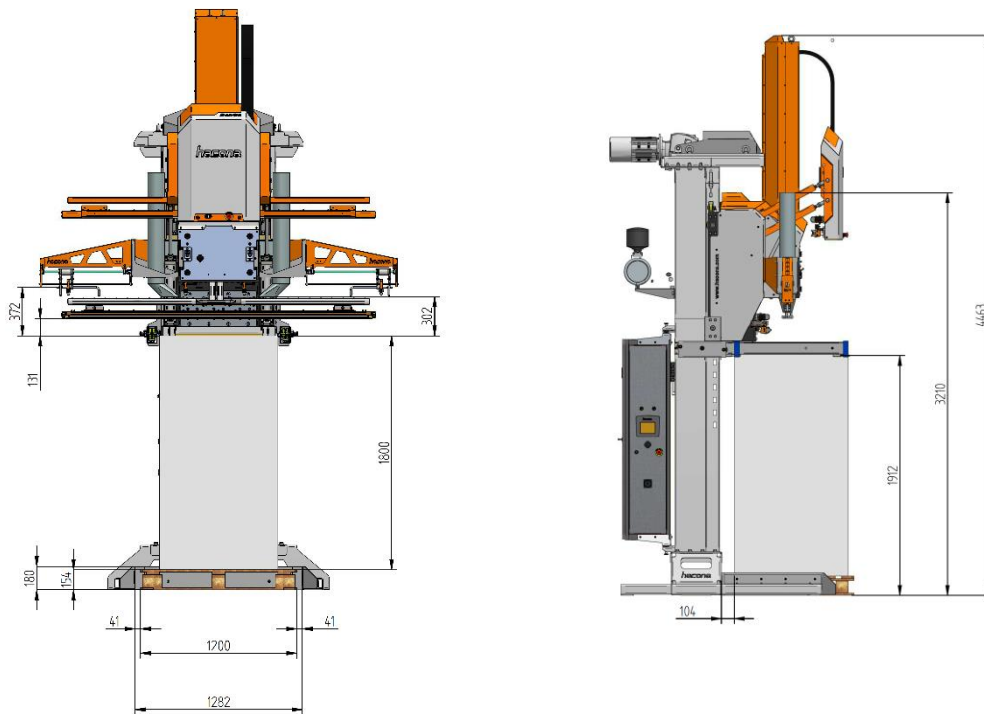


Project ref. no.: PR-0007

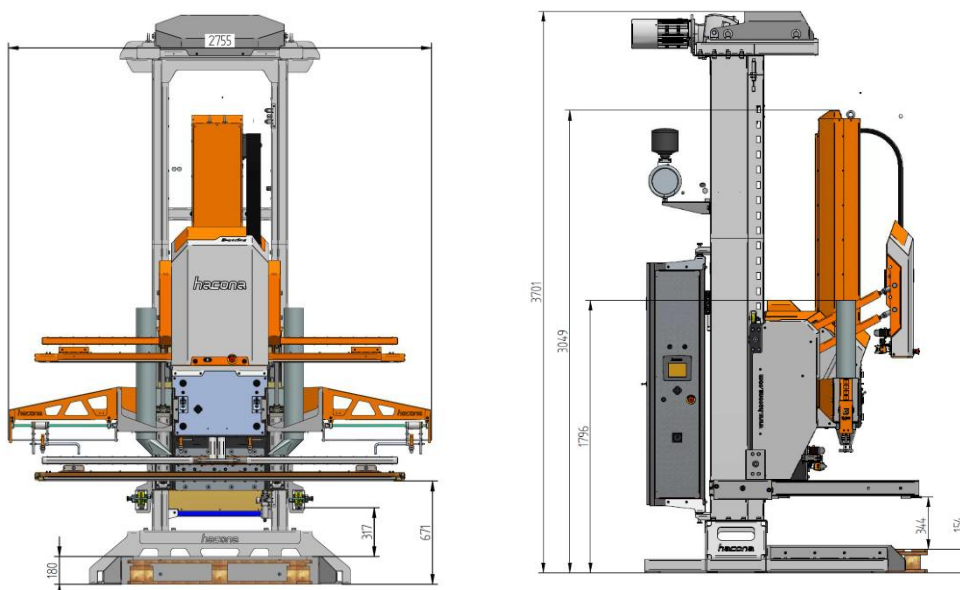




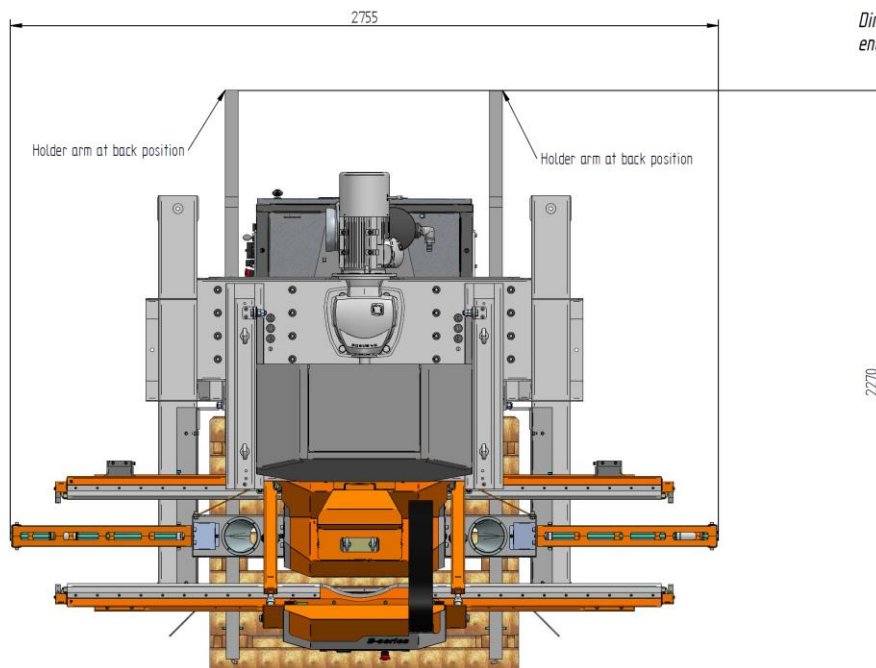
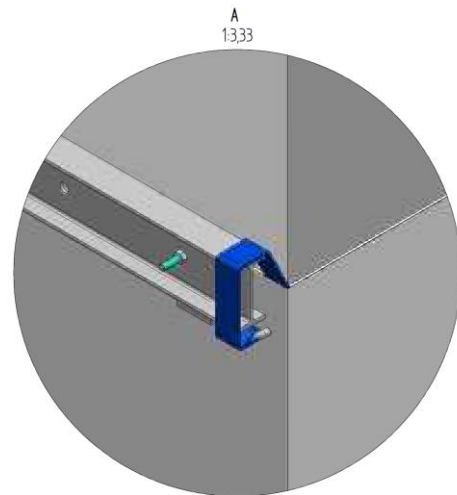
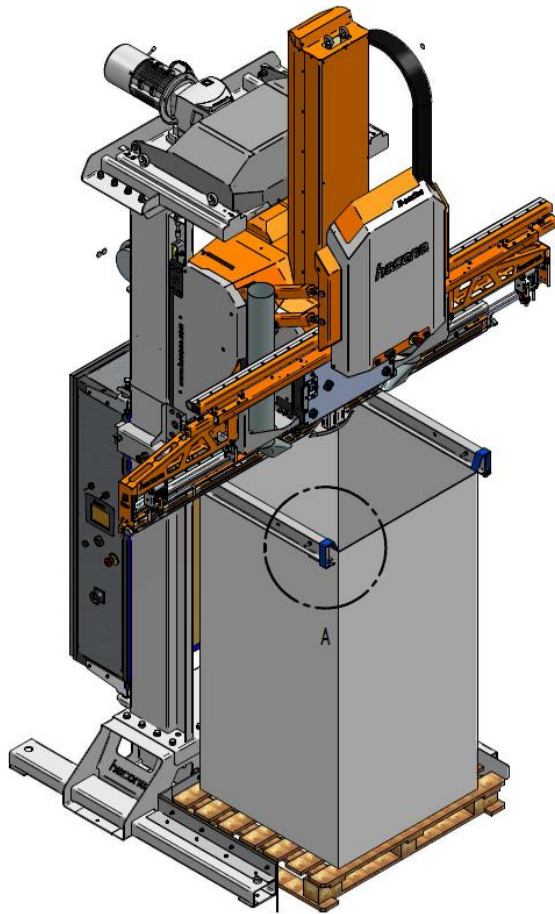
Dimensions at high end-position



Dimension at low end-position.



Big bag fastening method



Dimensions with holder arm
end-position.