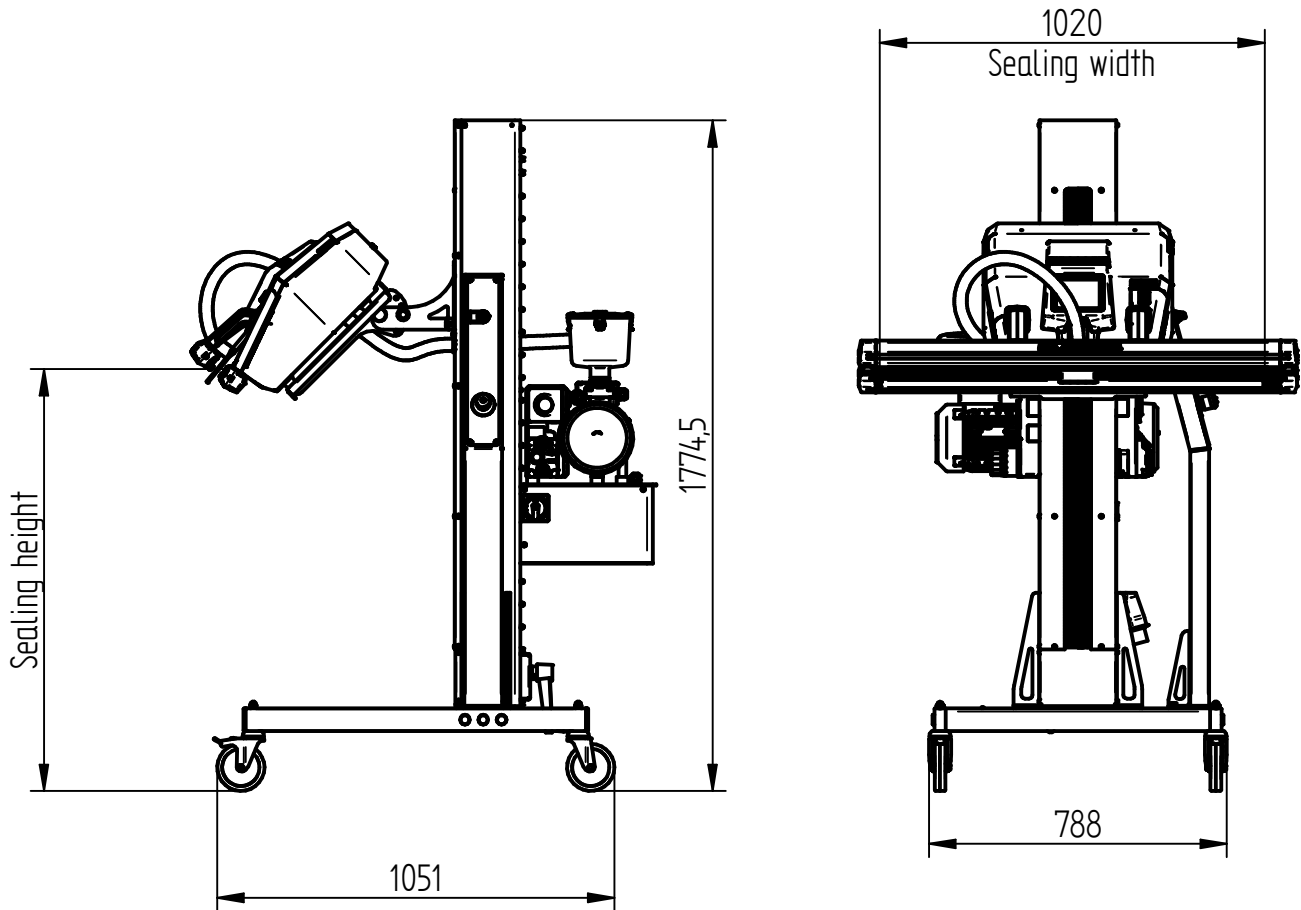


Project ref. no.: PR-0045





| Sealing height (mm) | Tilted (45°) | Vertical | Horizontal |
|---------------------|--------------|----------|------------|
| Min. | 335 | 268 | 664 |
| Max. | 1335 | 1088 | 1664 |