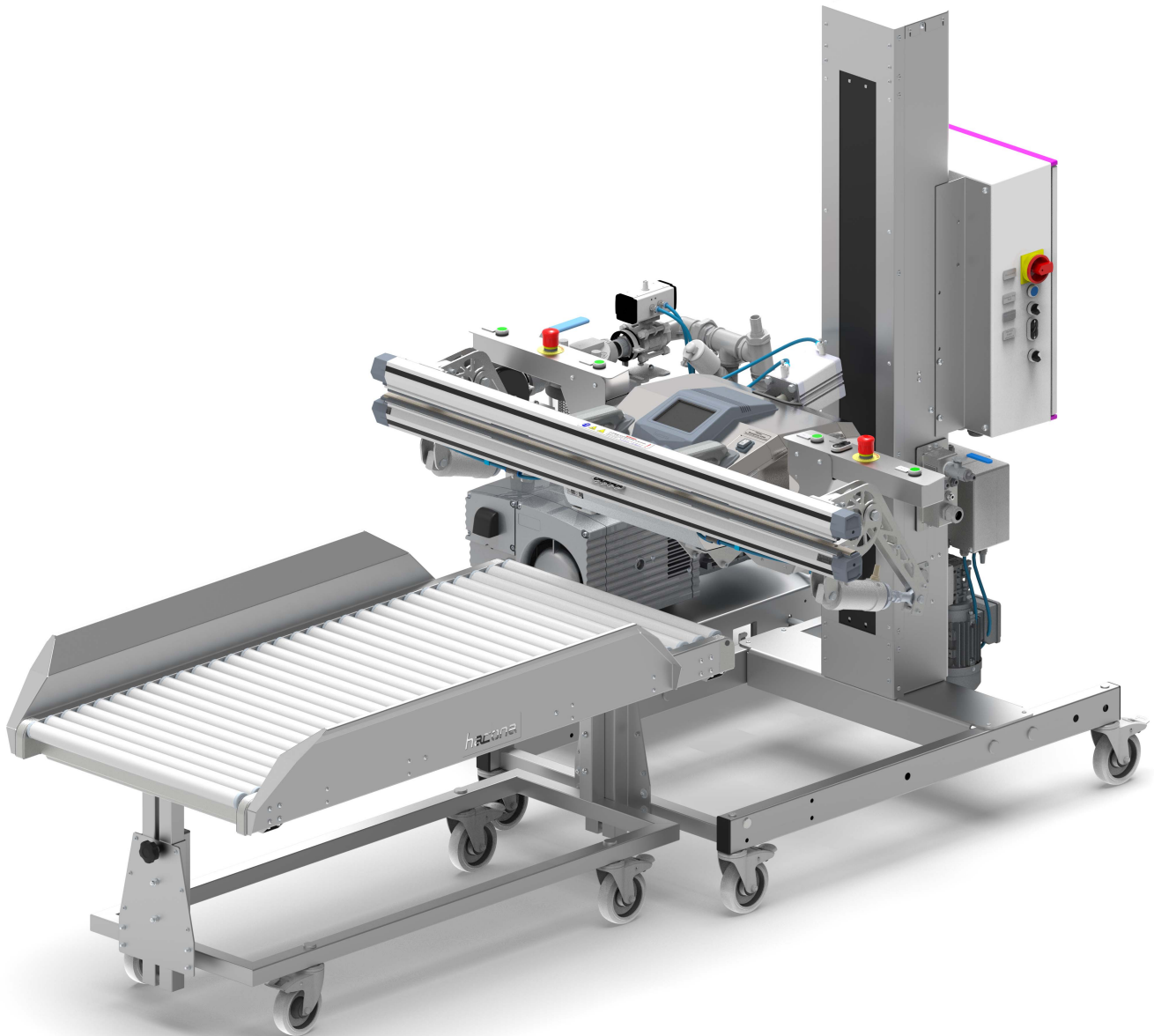


Project ref. no.: PR-0121



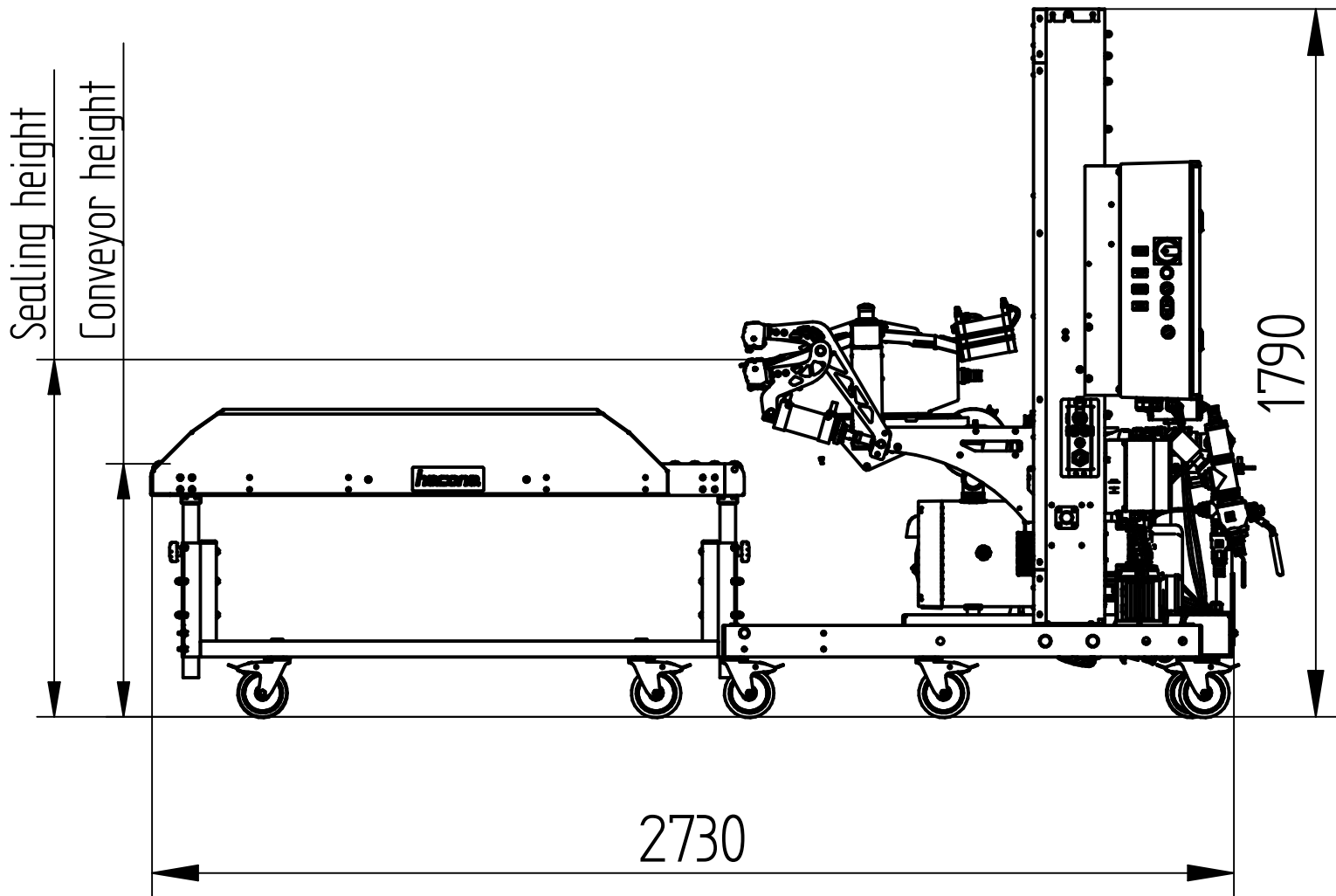
TDOC000811/001

Hacona Kft.  
H-1165 Budapest,  
Bokenyfoldi ut 106.  
Hungary

Tel.: +36 1 401 3030  
Fax: +36 1 401 3031  
E-mail: [mail@hacona.com](mailto:mail@hacona.com)  
Web: [www.hacona.com](http://www.hacona.com)

VAT No.:  
HU10406634

Bank: OTP Bank Nyrt. 1163 Budapest, Jokai u. 1/b.  
Account No.: EUR IBAN: HU 18 1176 3165 0734 7885 0000 0000  
USD IBAN: HU 23 1176 3165 1320 7018 0000 0000  
SWIFT-BIC: OTPVHUBB



Sealing height (mm)	Tilted (45°)	Vertical	Horizontal
Min.	520	380	830
Max.	1505	1320	1795

Conveyor height (mm)	Modular mobile roller conveyor
Min.	540
Max.	850

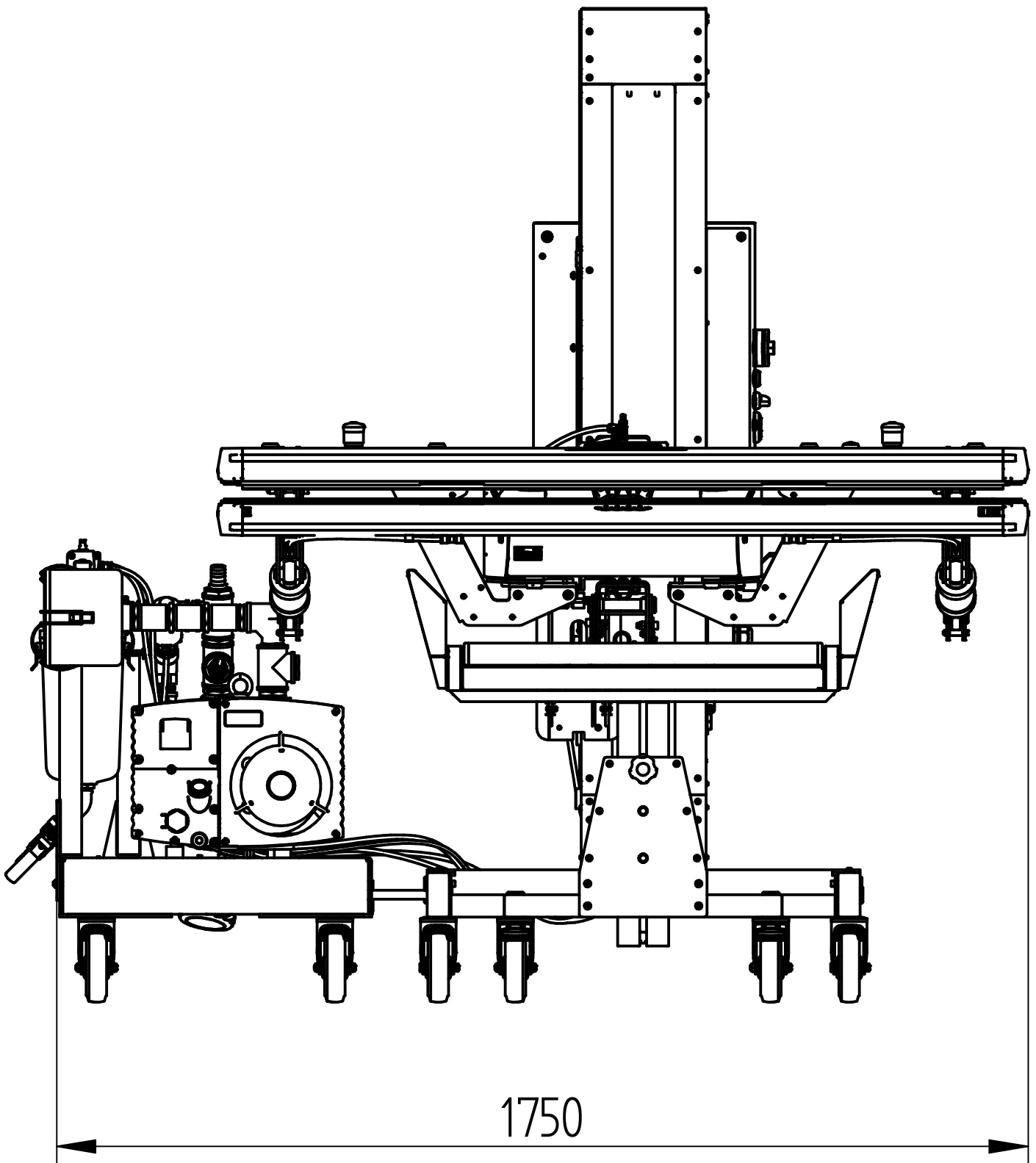
TDOC000811/001

Hacona Kft.  
H-1165 Budapest,  
Bokenyfoldi ut 106.  
Hungary

Tel.: +36 1 401 3030  
Fax: +36 1 401 3031  
E-mail: mail@hacona.com  
Web: www.hacona.com

VAT No.:  
HU10406634

Bank: OTP Bank Nyrt. 1163 Budapest, Jokai u. 1/b.  
Account No.: EUR IBAN: HU 18 1176 3165 0734 7805 0000 0000  
USD IBAN: HU 23 1176 3165 1320 7018 0000 0000  
SWIFT-BIC: OTPVHUHB



TDOC000811/001

Hacona Kft.  
H-1165 Budapest,  
Bokenyfoldi ut 106.  
Hungary

Tel.: +36 1 401 3030  
Fax: +36 1 401 3031  
E-mail: mail@hacona.com  
Web: www.hacona.com

VAT No.:  
HU10406634

Bank: OTP Bank Nyrt. 1163 Budapest, Jokai u. 1/b.  
Account No.: EUR IBAN: HU 18 1176 3165 0734 7885 0000 0000  
USD IBAN: HU 23 1176 3165 1320 7018 0000 0000  
SWIFT-BIC: OTPVHUBB